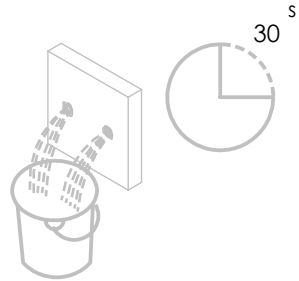
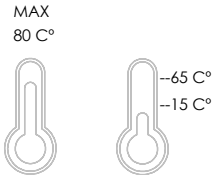


Service:

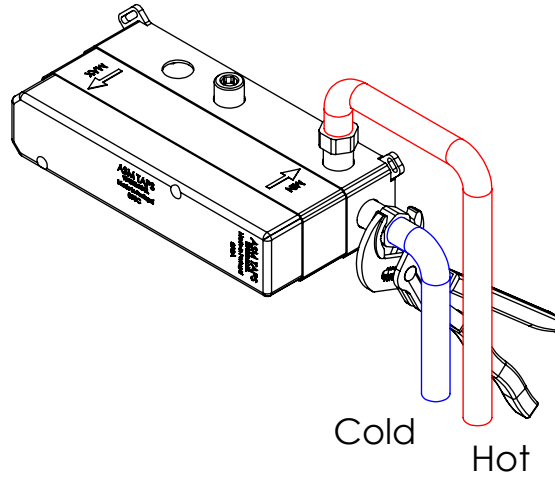


- Adjustable Pliers
- Screw Driver
- level
- 2 / 2.5 / 6 / 8 mm

Washbasin Mixer Installation Manual

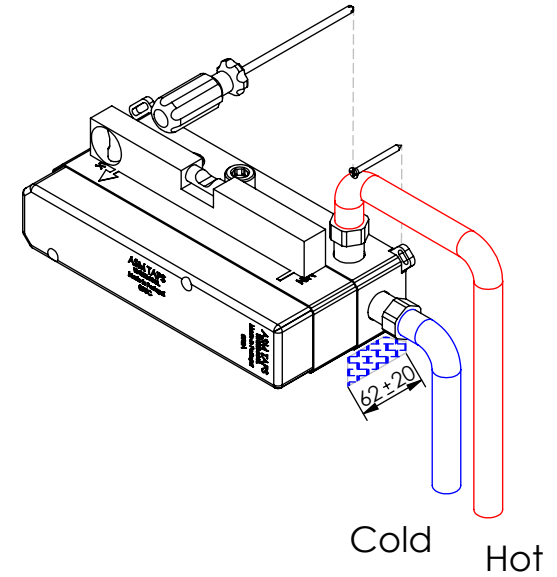
2°

Conection:



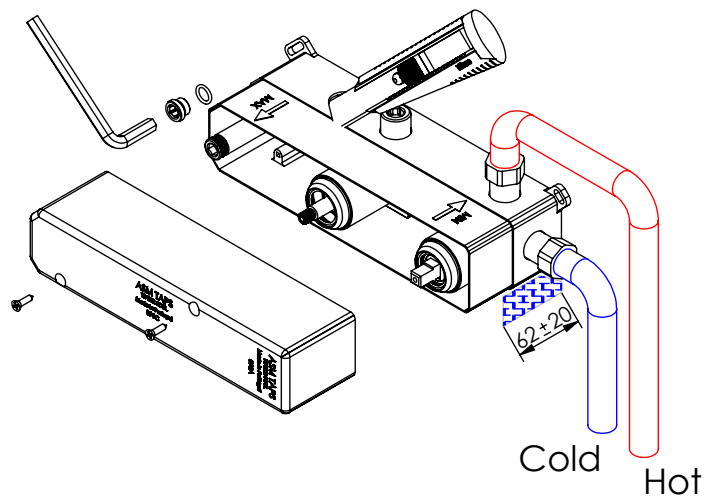
3°

Fixed:

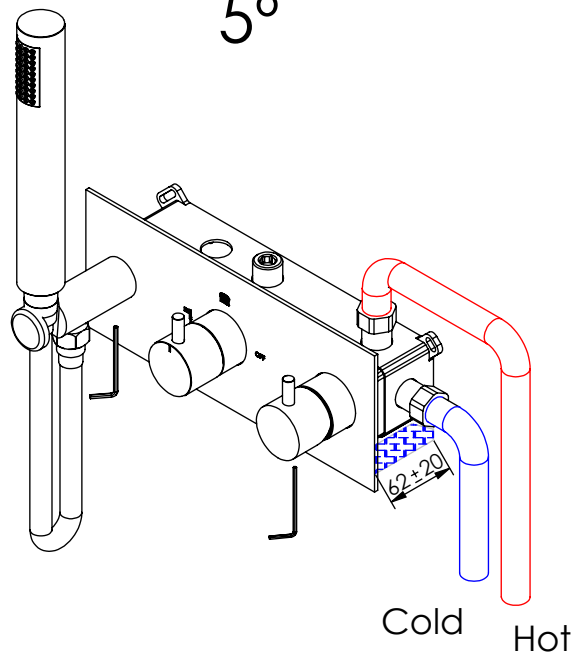


4°

Remove Protection:



5°



Maintenance:

